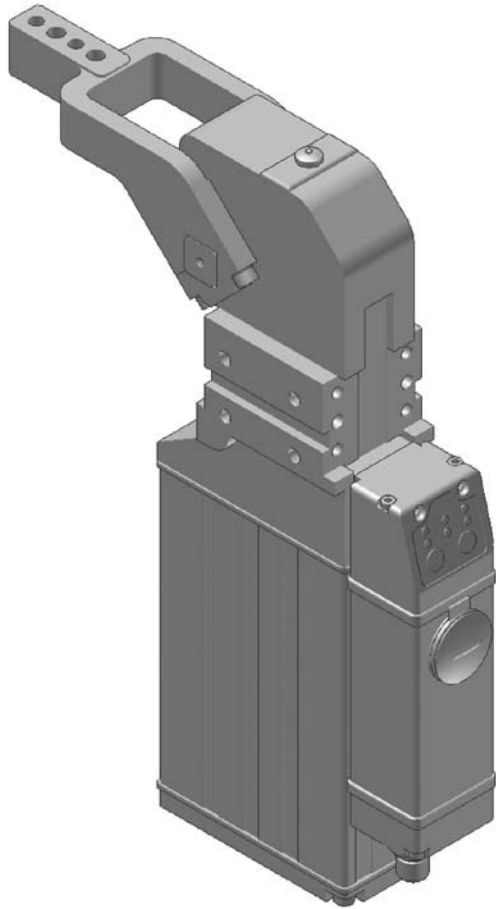




## LAE Series Electric Power Clamp



### Features

- Simple 24 VDC Digital Control (2 in / 2 out) via standard M12 connectors
- Modular electronics for ease of maintainability
- Single or dual cable control option
- Built in "obstruction" detection
- Integral brake maintains arm position any time power is lost
- Mechanical indicator identifies when clamp mechanism is locked
- Powered and unpowered manual override
- Adjustable opening angle
- Blade and foot mounting
- Unique linkage design ensures positional repeatability
- Linear and rotary motion guided by roller bearings
- Remains locked in closed position even when power is removed

### General Specifications

Weight:

LAE140: 2.5 Kg (5.5 lbs)

Operating Temperature: 5° to 40° C (40° to 105°F)

Class Protection: IP65

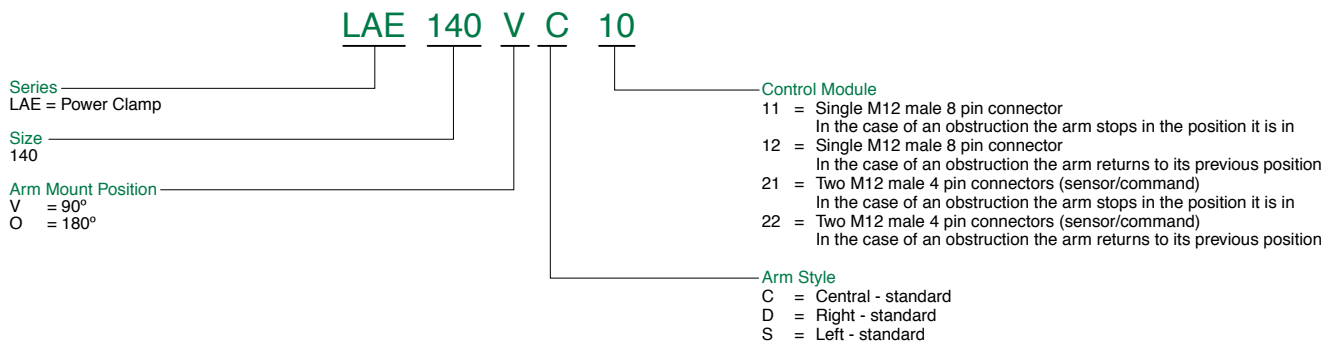
Opening Angles:

15°, 30°, 45°, 60°, 75°, 90°, 105°, 120°

Holding Capacity:

LAE140: 600 Nm (5310 in-lbs)

### How to Order



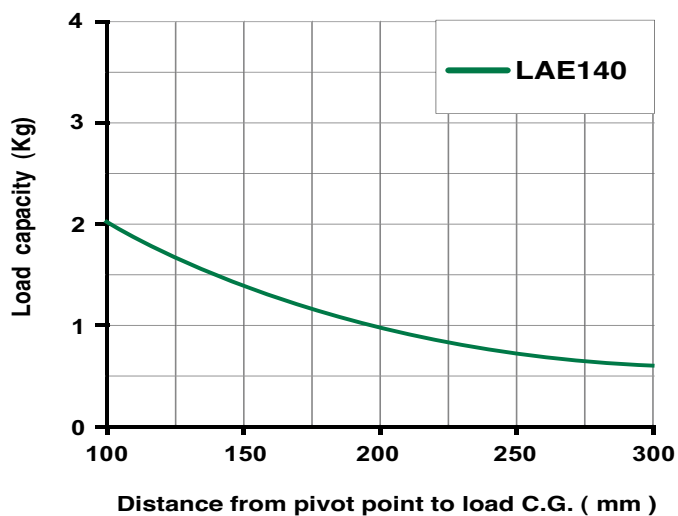
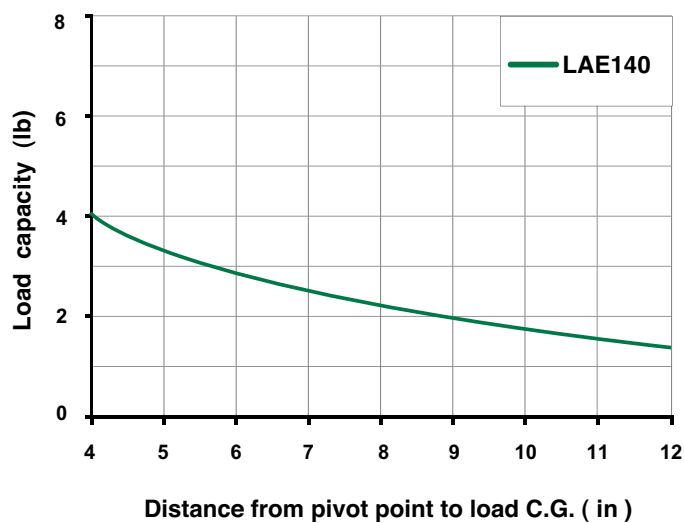


## LAE Series Electric Power Clamp

### Maximum Applicable Load

English

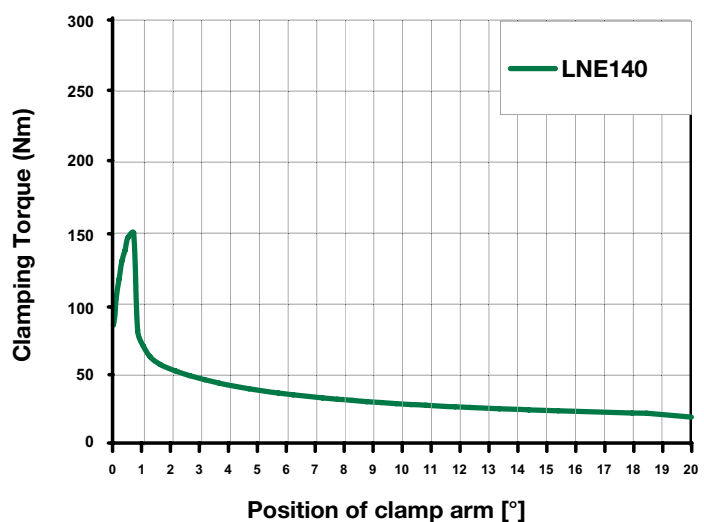
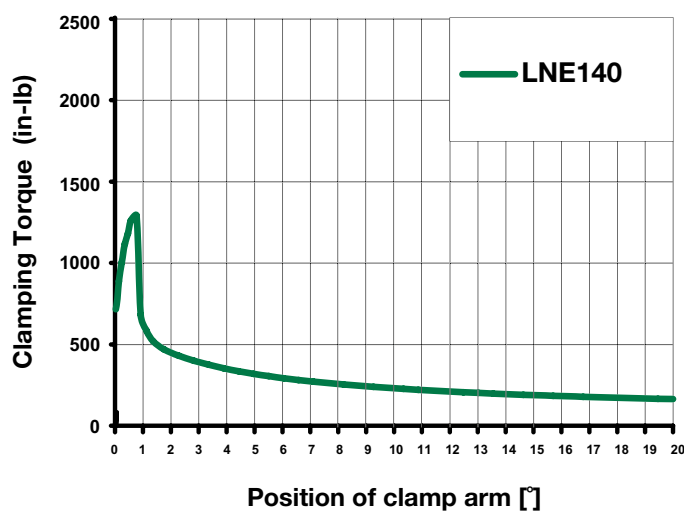
Metric



### Maximum Clamping Torque

English

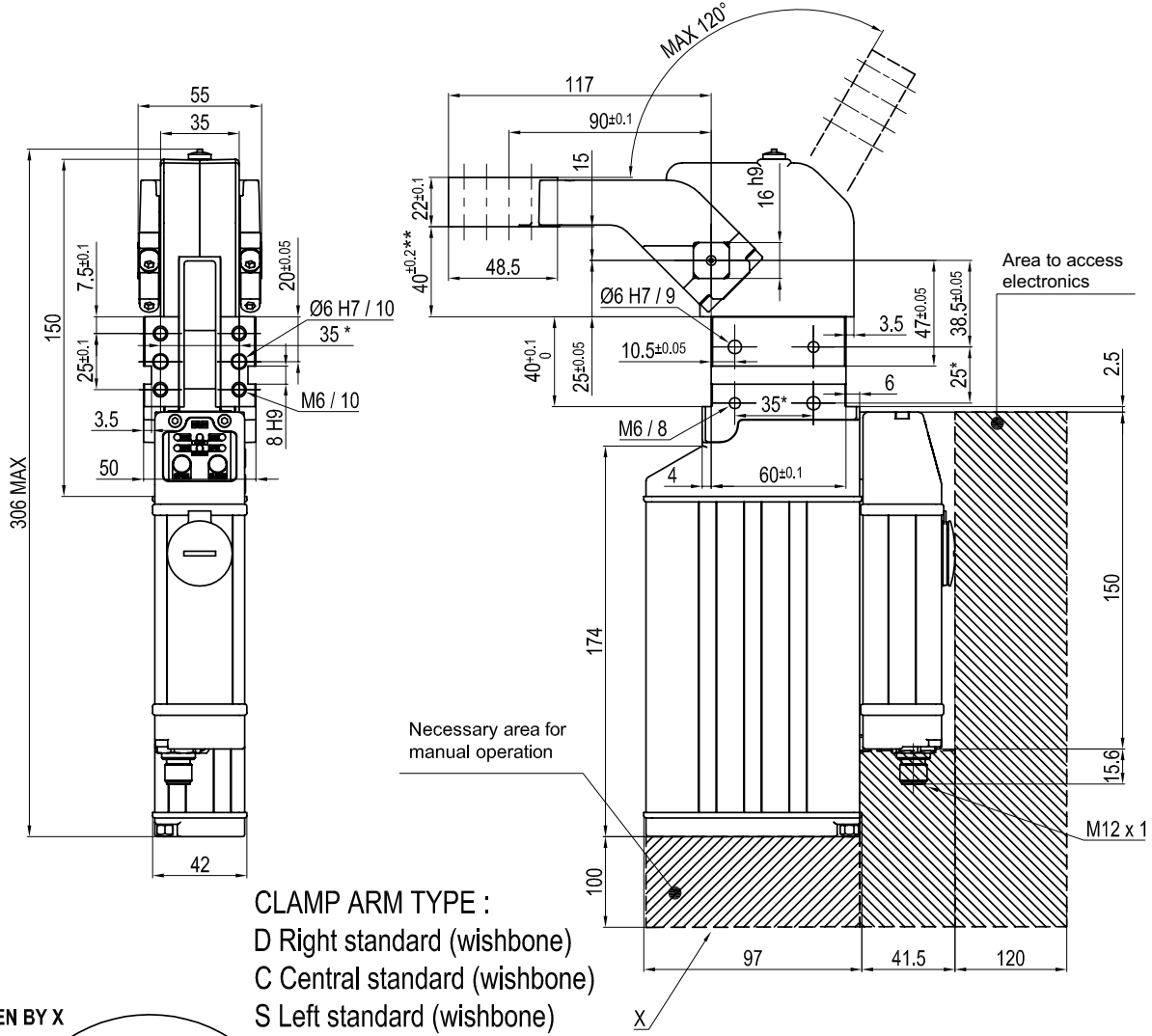
Metric



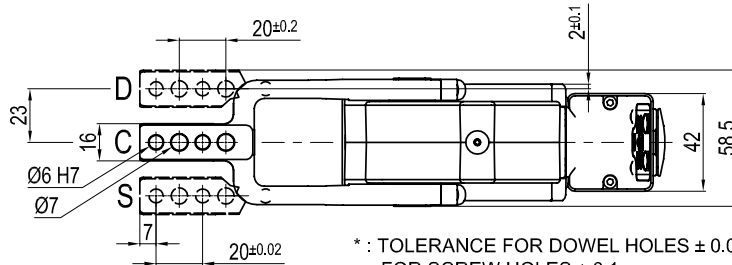
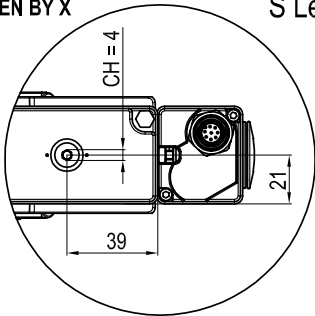


## LAE Series Electric Power Clamp

### LAE140V\_\_Electric Power Clamp



SEEN BY X



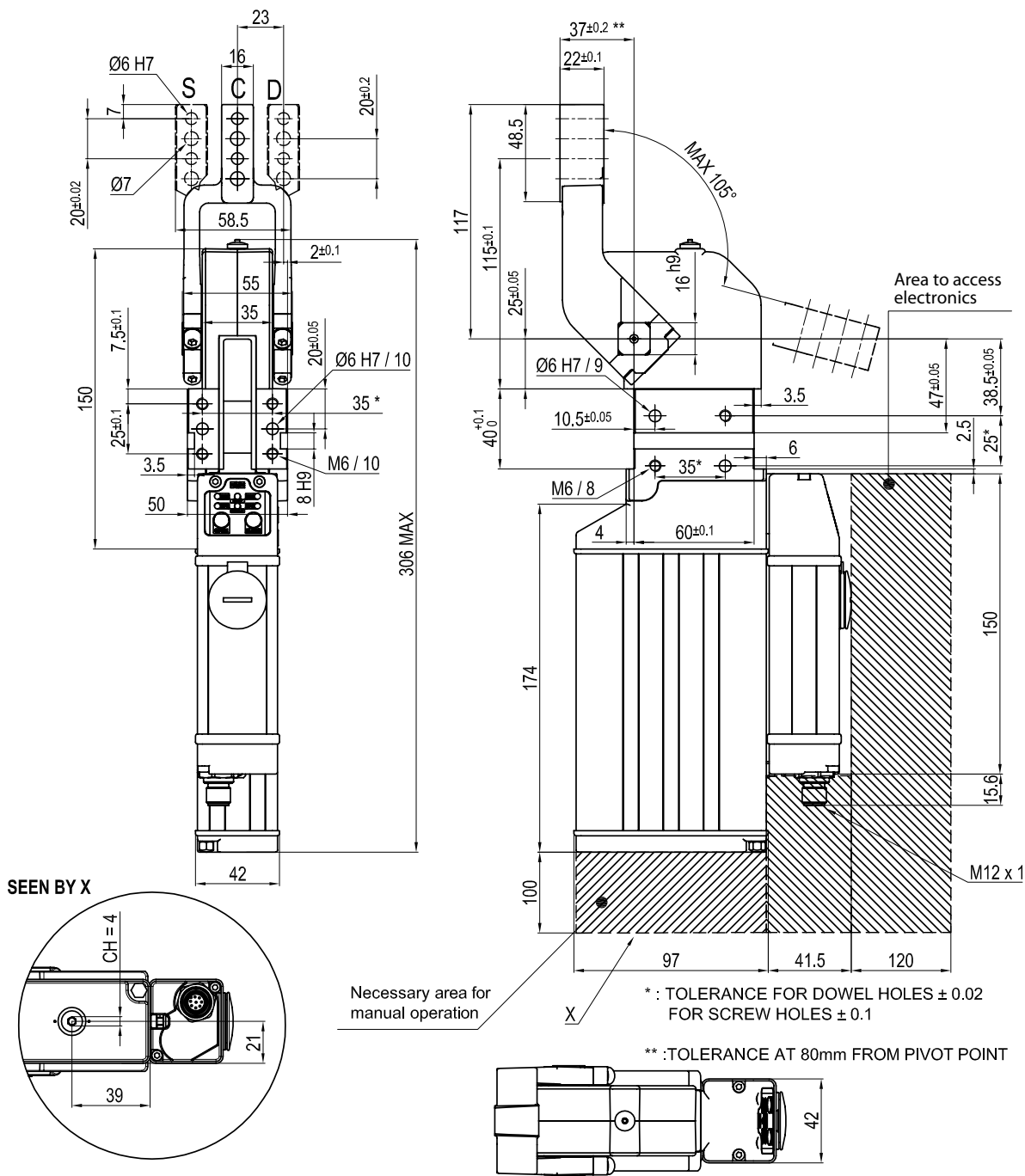
\* : TOLERANCE FOR DOWEL HOLES ± 0.02  
FOR SCREW HOLES ± 0.1

\*\* : TOLERANCE AT 80mm FROM PIVOT POINT



**LAE Series Electric Power Clamp**

**LAE1400\_\_Electric Power Clamp**



- CLAMP ARM TYPE :**
- D Right standard (wishbone)
  - C Central standard (wishbone)
  - S Left standard (wishbone)