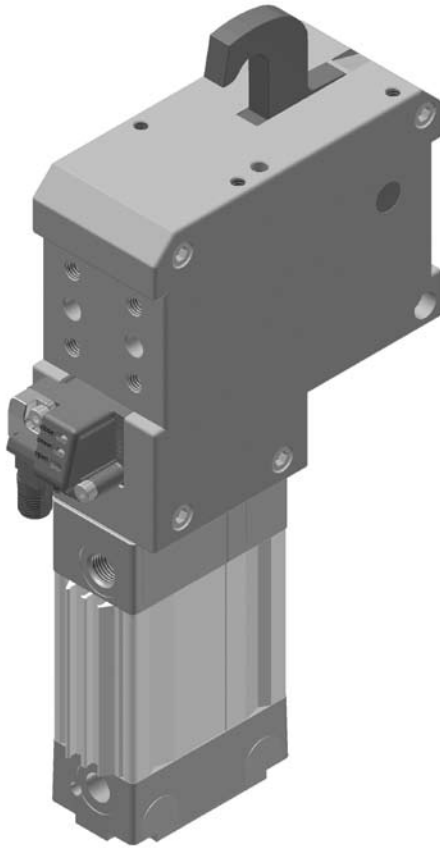




## LTP Series Pneumatic Pin Clamp



### Features

- Vanishing hooks provides low profile
- Multiple pin sizes available
- Unique system prevents weld slag from entering unit
- Long travel of hook designed for increased engagement of sheet metal in oval slots
- Hardened pins, hooks and scrapers for extended life
- Remains locked in closed position even when air pressure is removed
- Pneumatic ports on both sides of the cylinder
- Unique “programmable” all metal sensor with M12 swivel connector

### General Specifications

Weight:

LTP50T: 3.2 Kg (7.1 lbs)

Operating Pressure:

Minimum: 2.75 Bar (40 PSI)

Maximum: 8 Bar (115 PSI)

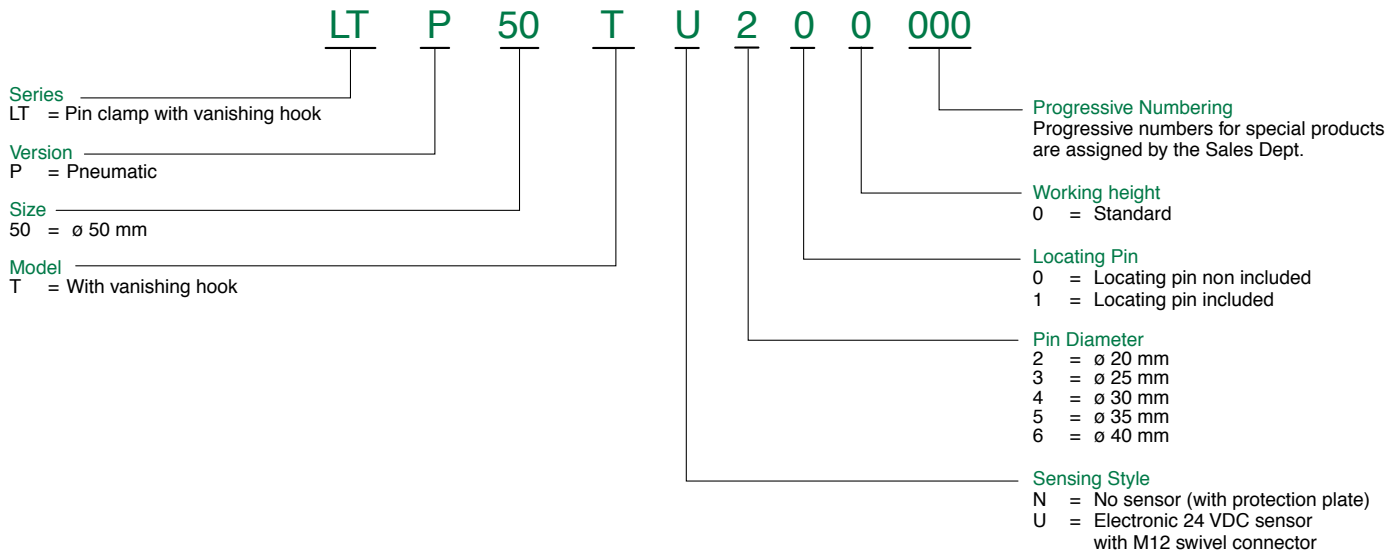
Operating Temperature: 5° to 45° C (40° to 113°F)

Class Protection: IP54

Maximum Clamping Force

Model Number	4 Bar (58 PSI)	5 Bar (72.5 PSI)
LTP50T	2850 N (640 lbs)	3500 (786 lbs)

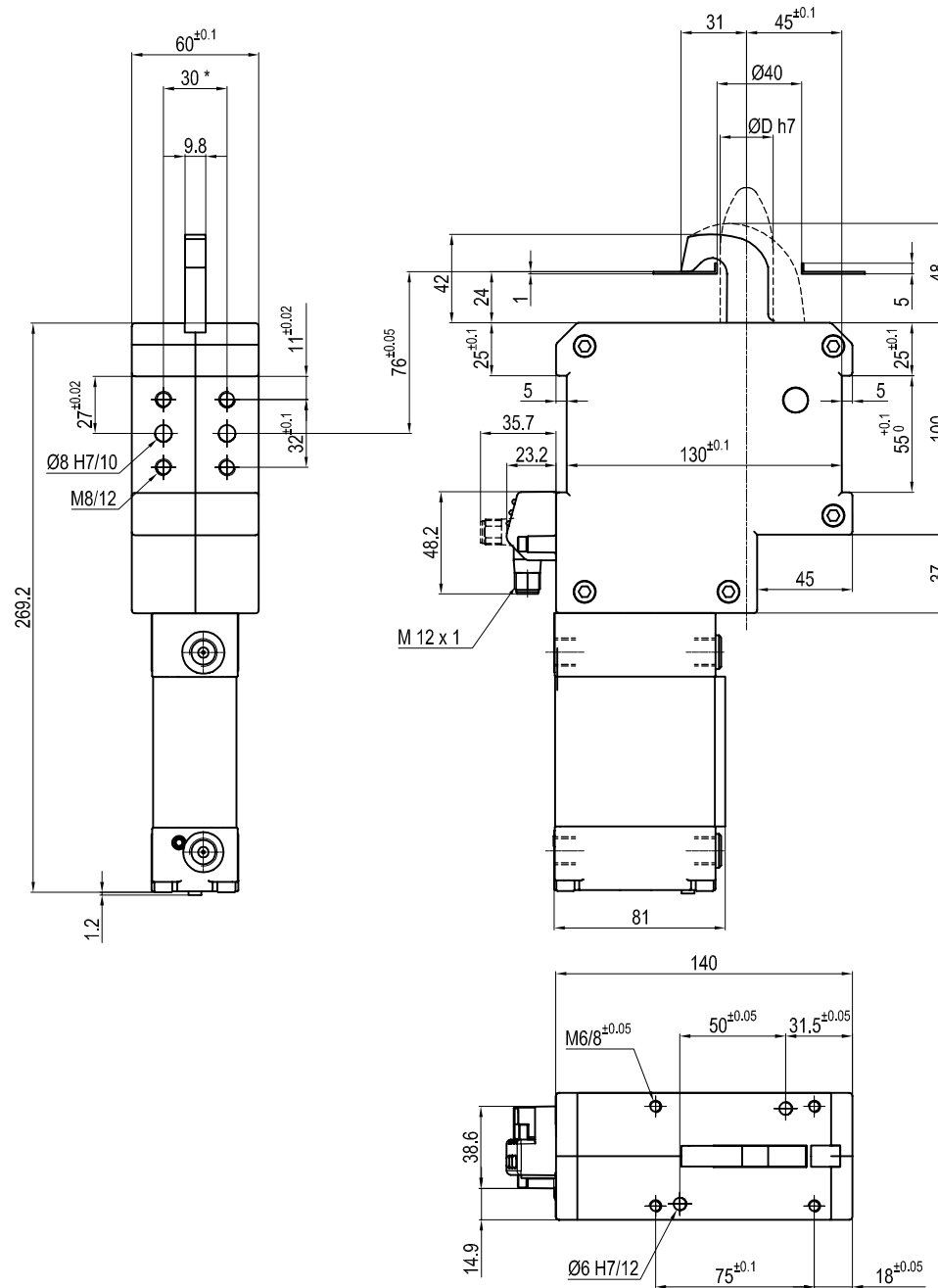
### How to Order





**LTP Series Pneumatic Pin Clamp**

**LTP50TU\_OO Pneumatic Pin Clamp with Vanishing Hook**



ØD
20
25
30
35
40

\* : TOLERANCE BETWEEN DOWEL HOLES ± 0.02, TO SCREW HOLES ± 0.1

