

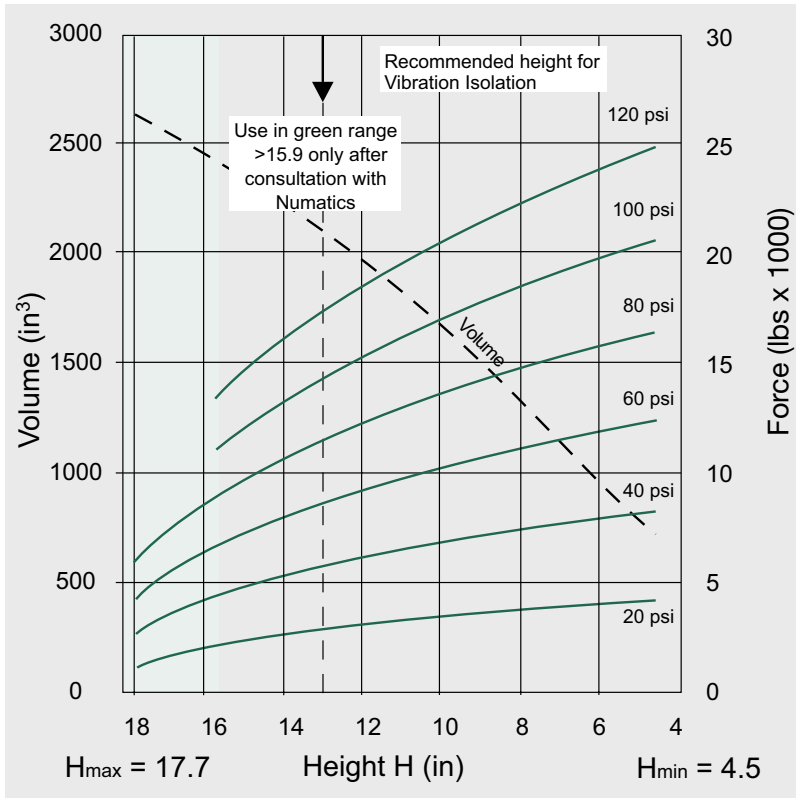


Air Bellows Series

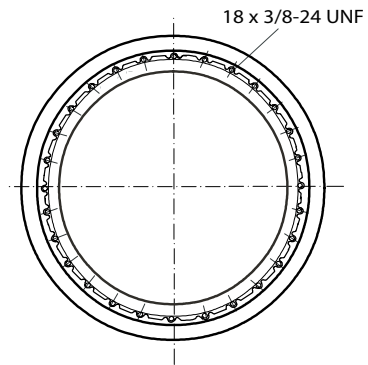
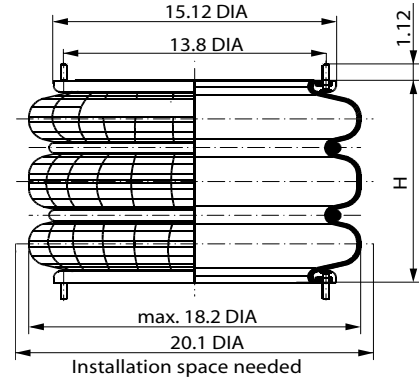
NUMATICS®

Numatics Triple Convoluted Air Bellows

ASNT154-12-1



Force-Height Diagram



TECHNICAL DATA

Min. Pressure	0 PSI
Return Force to Min. Height	≤ 135 lbs
Overall Weight with Clamped Plates	21 lbs

Vibration Isolation – Dynamic Characteristic Values

Design Height H: Recommended 13 Inch, Minimum 12.4 Inch							
Pressure p (psi)	40	60	80	100	120	Vol (in ³)	
Force (Load) (lbs)	5770	8650	11530	14420	17300		
Spring Rate (lbs/in)	1144	1659	2079	2610	3029	2125	
Natural Frequency (Hz)	1.4	1.3	1.3	1.3	1.3		

Pneumatic Application – Static Characteristic Values

Force F (lbs)							
Pressure p (psi)	20	40	60	80	100	120	Vol (in ³)
Height H (in)	15	2420	4830	7250	9670	12080	14500
	13	2880	5770	8650	11530	14420	17300
	11	3270	6530	9800	13070	16330	19600
	9	3560	7130	10690	14250	17820	21380
	7	3830	7650	11480	15300	19130	22950

ORDER DATA

Type	Model Number
Bellows with bead rings, 1 7/8 bolts, nuts and washers	ASNT154-12-1

Installation Instructions - torque rating
Mounting holes - 3/8" = 28-32 lb-ft