



**numatics**

*In 3D*

***Are you interested  
in saving critical  
development time?***

**numatics *In 3D*  
3D CAD  
Configurator**

**numasizing**

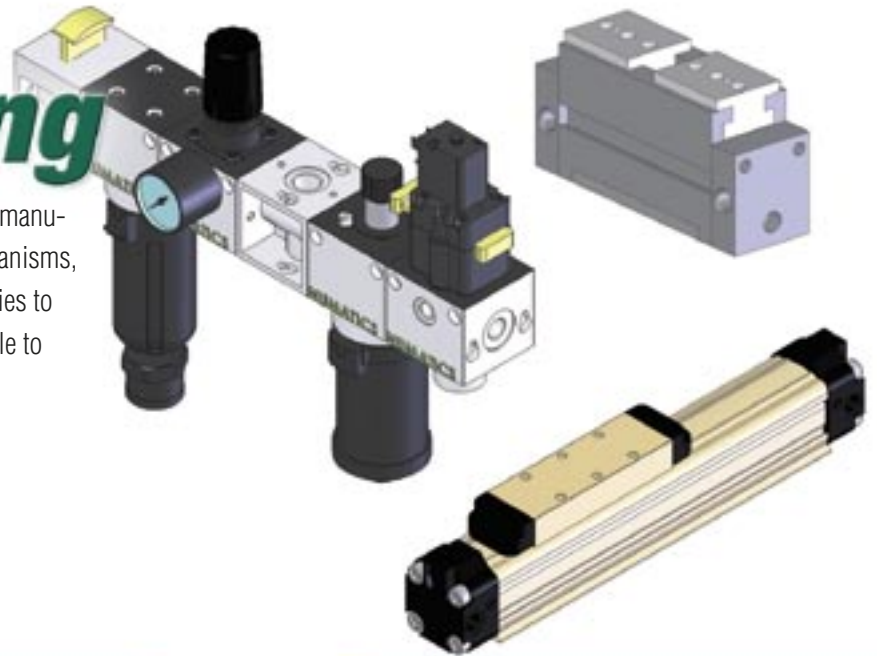
***Dynamic CAD Modeling***

***A Guide to Numatics' Innovative 3D CAD Program***

[www.numatics.com](http://www.numatics.com)

# 3D Modeling

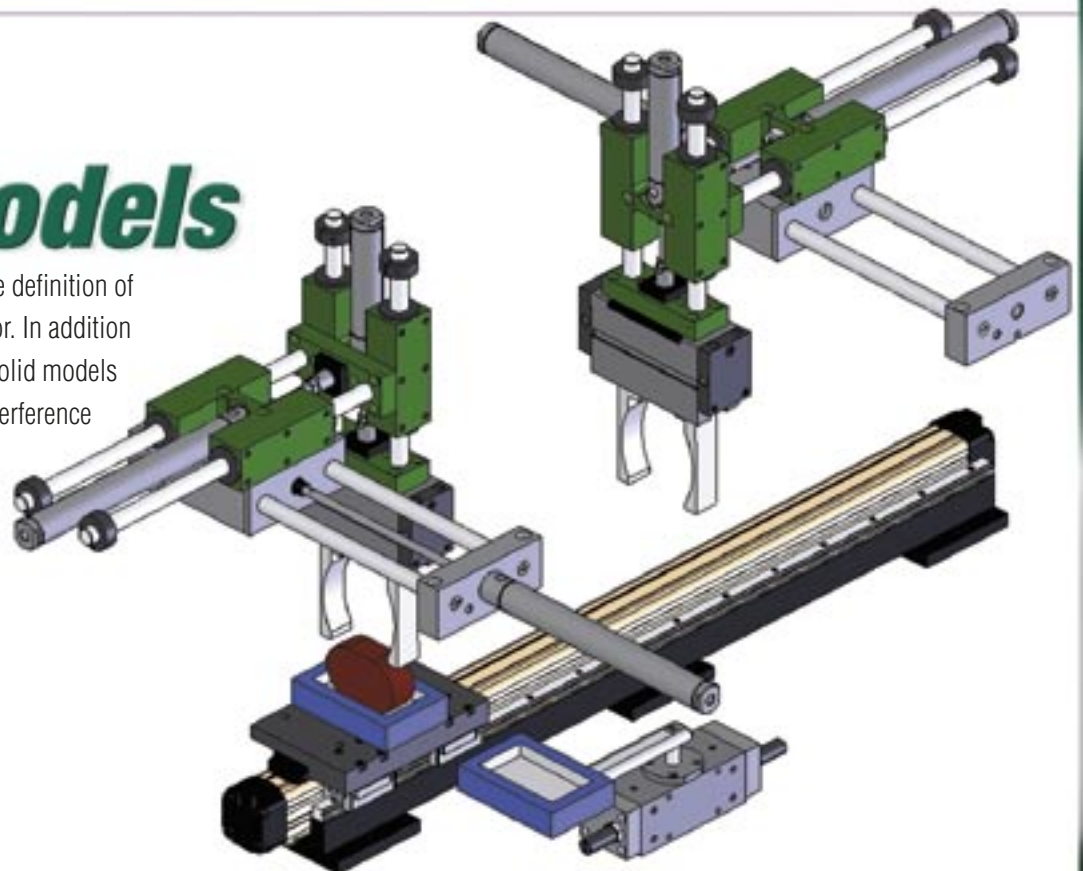
CAD software supplies the tools for both design and manufacturing to create and explore various shapes, mechanisms, and structures. The software enables all the geometries to effectively communicate together. In turn, you are able to view and troubleshoot a concept without prototyping, cutting, forming, etc.



# 3D Modeling

## Solid Models

Solid models are characterized by the definition of 3D volumes, both interior and exterior. In addition to volume and mass property data, Solid models usually provide cross section and interference detection. Users are generally able to generate 2D orthographic and isometric views, with dimensions, from Solid models.



# numatics *In 3D*

## 3D Modeling

Are you interested in saving critical development time? We thought so! That is why we offer the most *innovative* CAD configuration program in the pneumatic component industry. **Numatics In 3D** eliminates the time consuming process associated with designing components from scratch based on information found in conventional paper catalogs. You also don't have to wait on someone to personally fulfill your CAD model request.

The models are available in **85 different native CAD formats** for 2D drawings and 3D models, including all of the popular formats, i.e., **Catia®**, **I-DEAS™**, **Pro/ENGINEER®**, **SolidWorks®**, **UNIGRAPHICS®**, etc...

File Retrieval via  
**Download or Email**



To access Numatics *In 3D* CAD Configurator visit:

[www.numatics.com](http://www.numatics.com)



## Step 1 – Go to [www.numatics.com](http://www.numatics.com)

- Select 3D CAD Configurator.
- Select the product of interest, i.e.: Cylinders, Slides, Grippers, Valves, Filters–Regulators–Lubricators, etc.



## Step 2 – Build your desired part online

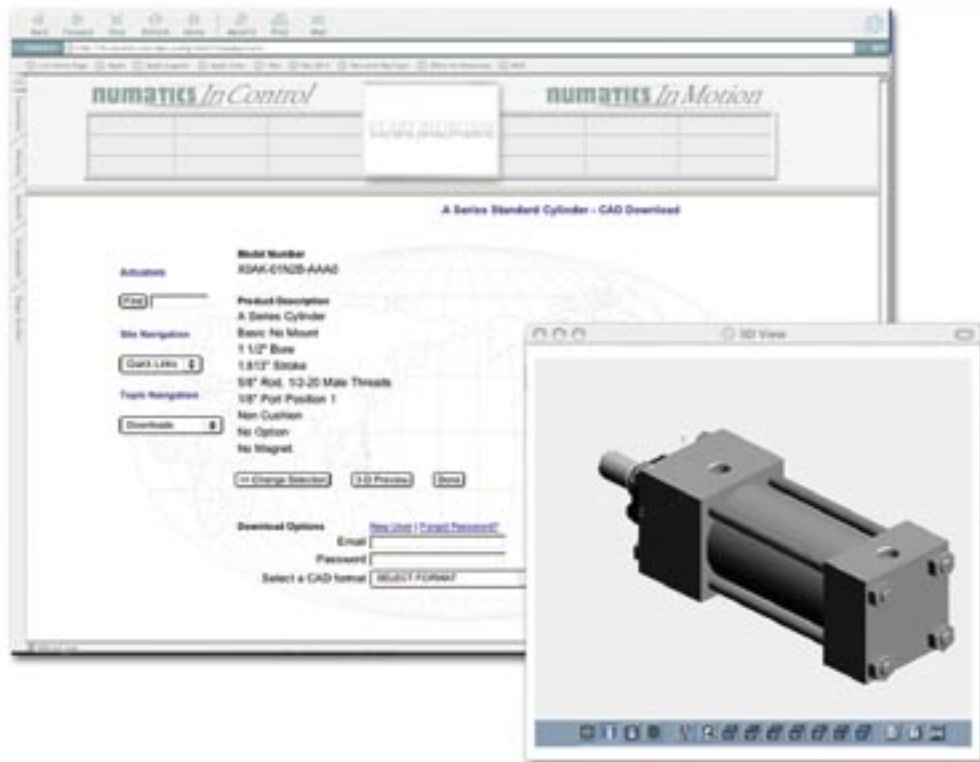
- Select product type
- Use the drop down menus to configure your product
- Select “continue” to view your product description
- Select “3D preview” if you wish to preview the product
- File retrieval via Download **or** E-Mail

# Easy as 1-2-3

## Step 3 – Download your part

- Register a “new user” account
- Select the file type you desire from our menu of file formats
- Click “download”
- You may wait for the download, or click “e-mail,” to have the file e-mailed to you

Note: A file manifest tutorial is available on the site once the download is complete.



# ***Why Add Work?***

## ***Numatics Innovative CAD Program***



# **Complete Models**

## ***With Numatics...There's No Assembly Required***

In today's fast pace work environment, we beg to ask the question, "Why add work?" That is why **Numatics In 3D** is structured in a way to ensure that your CAD Model experience with us is straightforward. For example, with regards to configuring valve manifolds, other manufacturers that offer on-line 3D CAD programs only offer you the parts. You still have to assemble the parts to get your desired component. With them, you get the dreaded, "some assembly required" note.

With **Numatics In 3D** you get what you want. Again, you are saving critical development time. With our innovative program, you don't have to become a valve manifold CAD assembly specialist, you are able to focus on the project at hand.





# NUMATICS

## World Class Supplier of Pneumatic Components



### World Headquarters

**Numatics Incorporated**  
Phone: 248-887-4111  
Fax: 248-887-9190

### Numatics – Air Preparation

Phone: 810-667-3900  
Fax: 810-667-3902

### Numatics – Valves

Phone: 248-887-4111  
Fax: 248-887-9190

### Numatics – Miniature Valves

Phone: 248-960-1400  
Fax: 248-960-2160

### Numatics – Cylinders

Phone: 615-771-1200  
Fax: 615-771-1201

### Numatics – Rodless Cylinders

Phone: 519-452-1777  
Fax: 519-452-3995

### Numatics – Automation

Phone: 440-934-3200  
Fax: 440-934-2288

### CANADA

**Ontario**  
Numatics, Ltd.  
Phone: 519-452-1777  
Fax: 519-452-3995

### Quebec

Numatics, Ltd.  
Phone: 514-332-6444  
Fax: 514-332-9273

### British Columbia

Numatics, Ltd.  
Phone: 604-574-0401  
Fax: 604-574-3713

### EUROPE

**Germany – European Headquarters**  
Numatics GmbH  
Phone: 011-49-22 41-31 60-0  
Fax: 011-49-22 41-31 60 40

### Hungary

Numatics Kft.  
Phone: 011-36-13 82 21 35  
Fax: 011-36-12 04 39 47

### EUROPE

**England**  
Numatics Limited  
Phone: 011-44-1525-37 07 35  
Fax: 011-44-1525-38 25 67

### France

Numatics s.a.r.l.  
Phone: 011-33-1 41 21 48 88  
Fax: 011-33-1 41 21 48 89

### Italy

Numatics srl  
Phone: 011-39-030-373 19 99  
Fax: 011-39-030-373 19 81

### Netherlands

Numatics B.V.  
Phone: 011-31-418-65 29 50  
Fax: 011-31-418-65 29 43

### Spain

Numatics Spain S.L.  
Phone: 011-34-93-221 21 96  
Fax: 011-34-93-221 35 14

### AFRICA

**South Africa**  
Numatics SA (Pty) Ltd.  
Phone: 011-27-11-8 65 44 52  
Fax: 011-27-11-8 65 42 90

### LATIN & SOUTH AMERICA

**Mexico**  
Numatics de Mexico S.A. de C.V.  
Phone: 011-52-222-284 6176  
Fax: 011-52-222-284 6179

### Brazil

Valvair Comercial Ltda.  
Phone: 011-55-12-351 2874  
Fax: 011-55-12-351 1958

### ASIA & PACIFIC

**Australia**  
Numatics Australia Pty. Ltd.  
Phone: 011-61-3-9555-9611  
Fax: 011-61-3-9555-9633

### Taiwan – Asian Headquarters

Numatics Co, Ltd. Asia  
Phone: 011-886-2-29 15 16 05  
Fax: 011-886-2-29 14 18 97

For a comprehensive listing of all Numatics production and distribution facilities worldwide, visit [www.numatics.com](http://www.numatics.com)